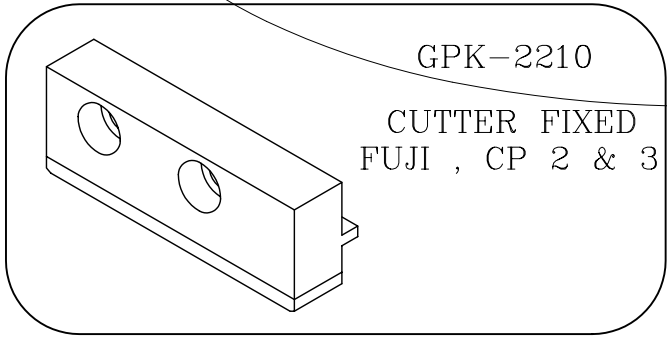


NOZZLE ASSEMBLY JIG
FUJI, CP3

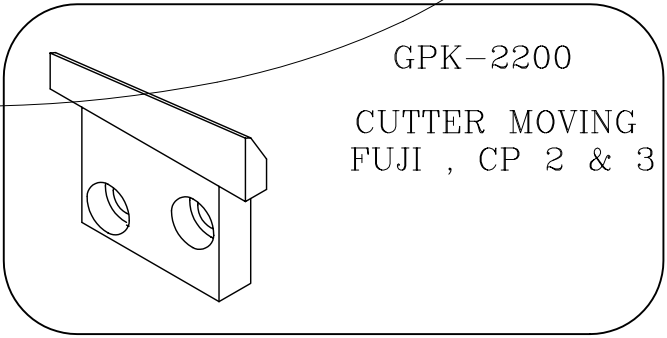
(LARGE)

(SMALL)



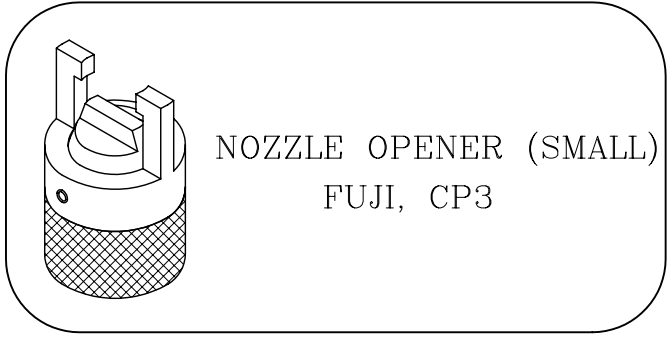
GPK-2210

CUTTER FIXED
FUJI , CP 2 & 3

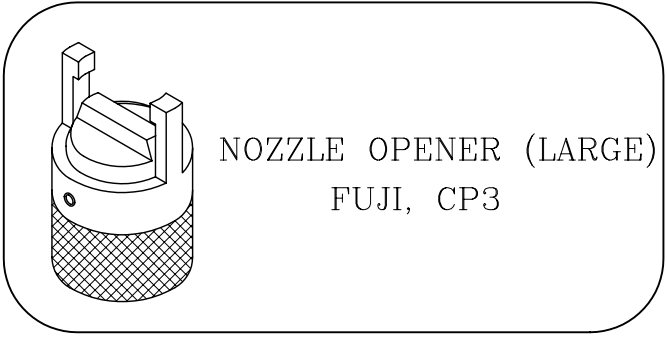


GPK-2200

CUTTER MOVING
FUJI , CP 2 & 3



NOZZLE OPENER (SMALL)
FUJI, CP3



NOZZLE OPENER (LARGE)
FUJI, CP3